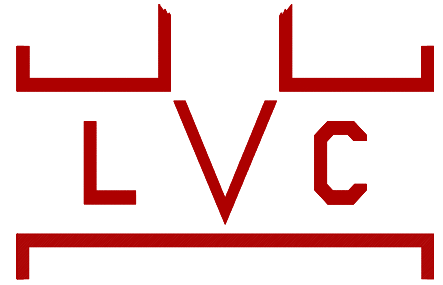


LINED VALVE COMPANY, INC.

FIGURE 53 DUCTILE IRON KNIFE GATE VALVE



FEATURES



- **HEAVY DUTY** cast ductile iron body and yoke for the most rugged service.
 - **Through bolting** on side flange bolts to allow easy installation.
 - **Replaceable** natural rubber seat provides a **BI-DIRECTIONAL BUBBLE TIGHT SEAL** across gate from 0 to 150 PSI.
 - Rubber seat is flush with the bottom of the port **ELIMINATING any pockets** in the bottom of the Valve to collect material in media such as slurries, pellets or powders.
 - Rubber seat has a **molded-in steel reinforcement** and is bolted in place to prevent it from being shifted out of position by gate movement.
 - Rubber seat replacement is quick and easy.
 - **Machined stainless steel gate** for corrosion resistance and durability.
 - **Stainless steel stem** for corrosion resistance.
 - **Easy conversion** from handwheel operator to cylinder, bevel gear or electric motor operator using cast yoke.
 - **Enclosed brass stem bushing** provides reduced operating torque and protection of the stem bushing from harsh environments.
 - **Full packing seal around gate** to prevent packing leakage.
 - **MSS-SP-81 face to face** dimension and flange dimensions.
 - **Full port ID.**
 - **Minimum 4 bolt packing gland** to assure proper gland alignment in all valve sizes.
 - All ductile iron surfaces (interior & exterior) are **coated with a epoxy powder coating** for long lasting corrosion resistance.
-

LINED VALVE COMPANY, INC.

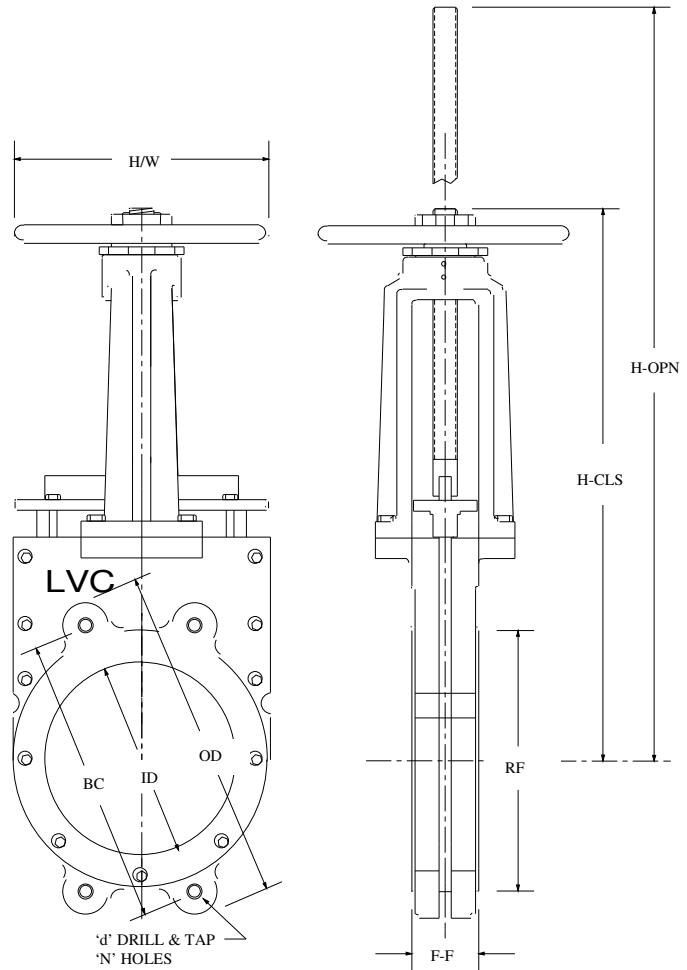
CAST DUCTILE IRON - RUBBER SEAT - KNIFE GATE VALVE - FIG 53

MATERIALS OF CONSTRUCTION	
MODEL	53
1 GATE	SS
2 BODY	DI
3 SEAT	NATURAL RUBBER*
4 BOLTS	PLATED
5 PACKING	TLSP**
6 GLAND	DI
7 STEM	SS
8 YOKE	DI
9 STEM NUT	BRASS
10 HANDWHEEL	DI

* Buna and EPDM also available

** TLSP = TFE Lubricated Synthetic Packing

Normally supplied with handwheel for manual operation, but can be modified for lever, chainwheel, bevel gear, electric, hydraulic cylinder or pneumatic cylinder operator.



DIMENSIONS (INCHES) AND WEIGHTS

SIZE		3"	4"	6"	8"	10"	12"	14"	16"	18"	20"	24"
FACE TO FACE	F-F	2"	2"	2-1/4"	2-3/4"	2-3/4"	3"	3"	3-1/2"	3/1/2"	3-1/2"	4"
FLANGE OD	OD	7-1/2"	9"	11"	13-1/2"	16"	19"	21"	23-1/2"	25"	27-1/2"	32"
BOLT CIRCLE	BC	6"	7-1/2"	9-1/2"	11-3/4"	14-1/4"	17"	18-3/4"	21-1/4"	22-3/4"	25"	29-1/2"
FLANGE RF	RF	5"	6-3/16"	8-1/2"	10-5/8"	12-3/4"	15"	16-1/4"	18-1/2"	-FLAT	FACE FLANGE-	
INSIDE DIAMETER	ID	3"	4"	6"	8"	10"	12"	14"	15-1/4"	17-1/4"	19-1/4"	23-1/4"
NUMBER OF HOLES	N	4	8	8	8	12	12	12	16	16	20	20
HOLE D&T SIZE	d	5/8"-11	5/8"-11	3/4"-10	3/4"-10	7/8"-9	7/8"-9	1"-8	1"-8	1-1/8"-7	1-1/8"-7	1-1/4"-7
C/L TO TOP-CLOSED	H-CLS	14-1/4"	16-1/4"	20-1/8"	24-1/4"	28-1/2"	34-1/2"	40"	41"	47-3/8"	51"	50-1/2"
C/L TO TOP-OPEN	H-OPN	17-1/2"	20-1/2"	26-1/2"	32-1/2"	38-3/4"	47"	54-1/4"	56-1/4"	64"	72-1/4"	82-1/4"
HANDWHEEL DIA.	H/W	8"	12"	12"	16"	16"	16"	24"	24"	24"	24"	24"
WEIGHT - LBS.		29	46	75	118	180	295	345	455	545	800	1050

LINED VALVE COMPANY, INC
675 MITCHELL AVE.
WOODLAND, WA 98674

WEB SITE: www.knifegatevalves.com
TEL: 360-225-1230
FAX: 360-225-1235